

MODEL 500

PRICE 1958	\$65,750
YEARS BUILT	1958-1960
SERIAL NO. RANGE	618-852
TOTAL BUILT	101
POWER PLANT	LY O-540-A28
Rating	250 Hp @ 2575 RPM
Fuel, octane-capacity, gal.	91/96 - 158
Fuel consumption (2300 rpm), gph	11.9
PROPELLER	80" dia., 2-Blade
WEIGHT, LBS., EMPTY-GROSS	3850 - 8000
DIMENSIONS-INCHES:	
Wing span, inches-area, sq. ft.	588.56 - 255.00
Fuselage length — height, inches	421.25 - 174.00
Volume, cu. ft., cabin-bag. compt.	177 - 32
Seats	5 - 7
PERFORMANCE:	
Takeoff over 50'-obstacle, ft.	1,400
Landing over 50'-obstacle, ft.	1,350
Service ceiling, ft.	22,500
Single-engine ceiling	8,000
Maximum range, miles	1,100
Cruising speed (85% NRP @ 10,000 ft.), mph	199
Takeoff — landing speed, mph	87 - 82
Best rate-of-climb, mph	110

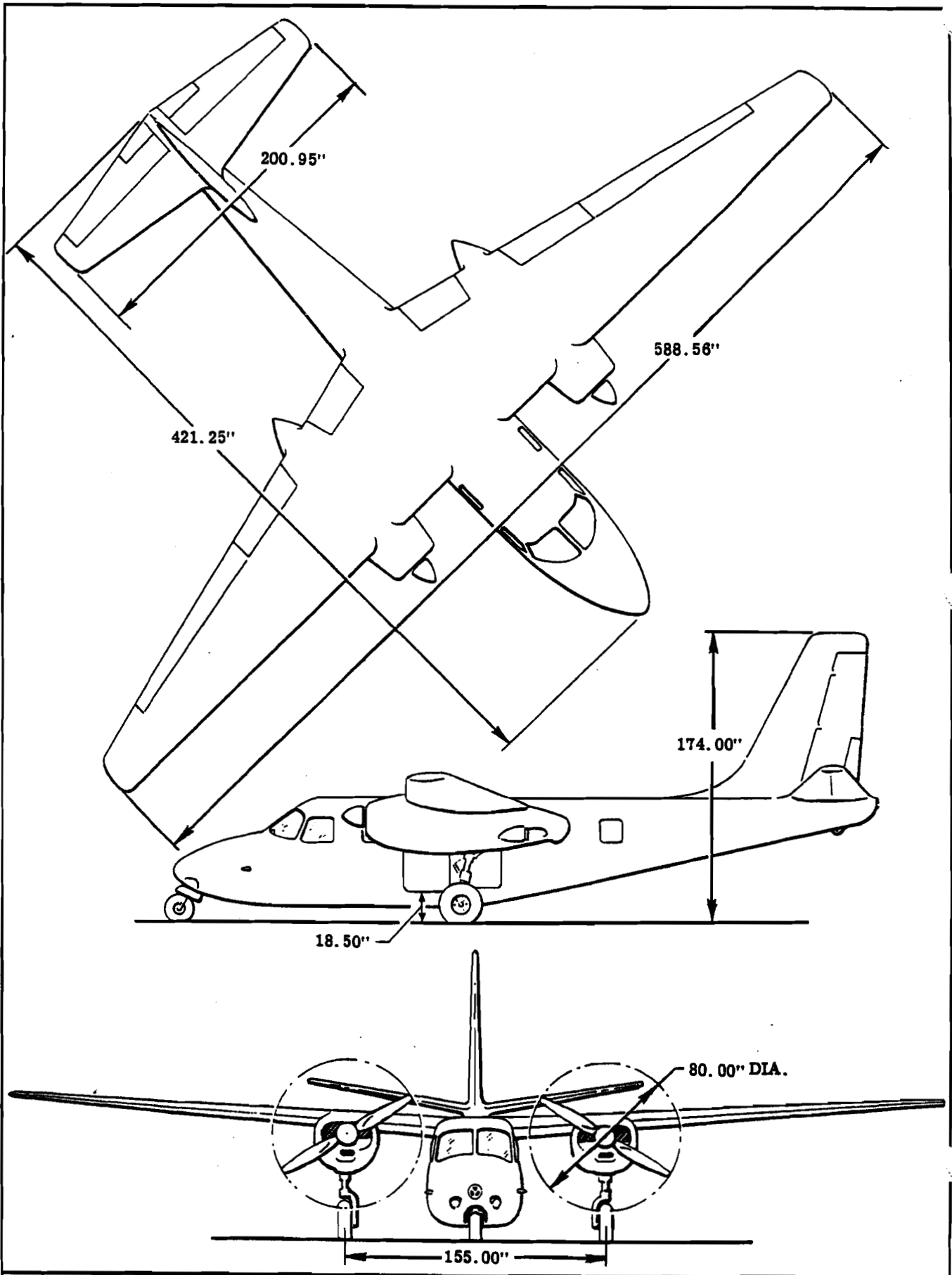


Figure 1-1. General Dimensions